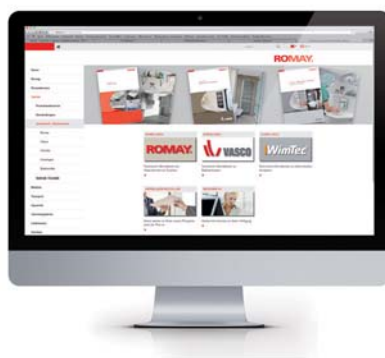


ROMAY

*Optimum comfort, design and economy
for wetrooms*



For detailed specifications and planning aids, go to www.romay.ch



Product characteristics



For accessible construction

Optimally designed washing units and showers for easy access



For a secure footing

Non-slip showers for all kinds of uses



Dimensionally flexible products

Individual dimensions to suit the requirements of the customer



Your choice of colours

Customised design thanks to free choice of colours



Robust and durable

Numerous benefits and high-quality materials



Sound-insulating products

Designs to meet acoustic requirements

Material characteristics



Romylit SMC

Material characteristics:

- Seamless and hygienic
- Can withstand mechanical loads
- Easy to install
- Acid- and alkali-resistant (details on request)
- Weather-resistant



Romylit PX

Material characteristics:

- Seamless and hygienic
- Maximum resistance to chemicals
- Can withstand mechanical loads
- As scratch-resistant as ceramics
- Intelligent and extremely secure mounting systems
- Easy to install



Romylit TS

Material characteristics:

- Seamless and hygienic
- Pleasantly warm material
- Creative freedom due to free choice of colours
- Acid- and alkali-resistant (details on request)
- Can withstand mechanical loads
- Positive-fit integrated fastenings
- Lightweight so easy to install
- Dimensional flexibility and millimetre precision

Contents



Washbasins	4
RoClassico	
Classic	
Modern	
Trend	
Laundry room facilities	



Washbasin units	16
Scolaro	



Washbasins in a row	18
Varello	
Marello	



Washing trough systems	24
RoCasca	
RoMex	
Washing trough with splashback	
RoMysana	
Washing trough system	



Showers	42
RoVaro	
RoTerra	
Jubilar	
Shower cubicle	
RoMylux	



Materials	54
Romylit SMC	
Romylit TS	
Romylit PX	
Cleaning instructions	

Washbasins



- *Wide variety of designs*
- *Mounting stability*
- *Easy-clean surface*
- *Robust material (Romylit SMC)*

Practical efficiency

Maximum basin volume



Functional units for versatile use

Our sinks are ideal for use in basements, garages, utility rooms in single- and multi-family houses and owner-occupied apartments. Consequently, ROMAY's comprehensive range of sinks offers sizes and depths to suit any requirement, providing better functionality, convenience and comfort and optimum benefits for a wide range of applications.

Our sinks in high-quality glass fibre-reinforced plastic are very hard-wearing, robust, scratch-resistant and easy to clean, making them extremely durable and easy to look after.

Combine them with practical accessories to provide practical and essential facilities for a wide variety of applications.



From large to small and extremely robust

The sinks are in a linear design and their characteristic feature is the lower inner edge which fits the new support rack perfectly. The rack can also be slid freely from one side of the sink to the other, from left to right. The carefully chosen dimensions of the rack mean that the sink can still be used when the rack is in place and the support rack then becomes a fully accessible, user-friendly work surface.

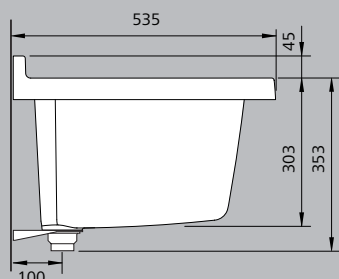
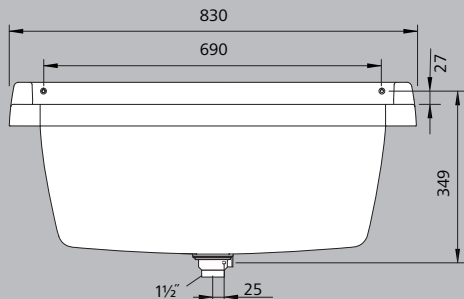


ROCLASSICO 83

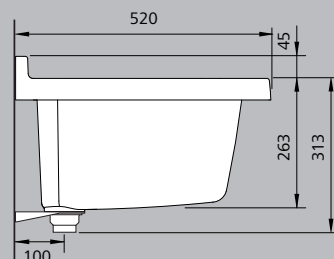
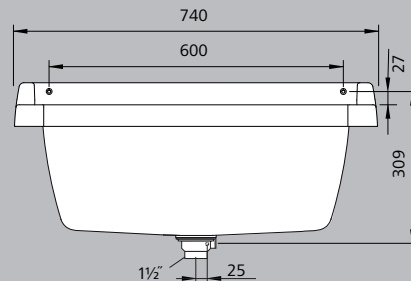
With its unprecedented volume, the RoClassico 83 sink can provide the additional capacity required just when it matters. Even with the rack in place, the sink can still be used or cleaned quite easily.

Dimensions in mm

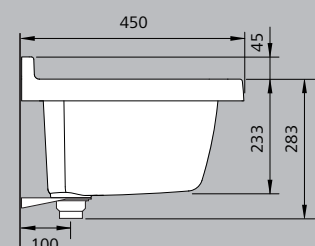
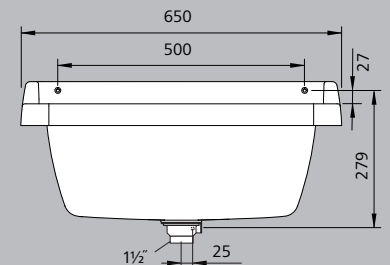
ROCLASSICO 83
Volume 46 litre



ROCLASSICO 74
Volume 41 litre



ROCLASSICO 65
Volume 24 litre



**AWARD-WINNING**

THE ROCLASSICO RANGE WON THE IF AWARD FOR ITS SIMPLE DESIGN AND INNOVATIVE RACK STORAGE FACILITY.

**ROCLASSICO 74**

740 mm is a commonly used width and is one of ROMAY's most popular sink sizes. The latest sink has a linear design and the lower inner edge fits the new support rack perfectly which can be slid from one side to the other if required.

**ROCLASSICO 65**

The smallest sink in the range will fit anywhere. This size is also suitable for the use of accessories.

ACCESSORIES**SUPPORT RACK**

The support rack fits every RoClassico sink perfectly.

**RACK HOLDER**

The holder can be stuck underneath the sink on the left or right as required so that the rack can be stored securely when it is not in use.

**TOWEL HOLDER**

The towel holder can be fitted on the left or right or at the front depending on what is best for the user.

Practical in any situation

Our medium-sized sinks make the ideal practical additions for laundry rooms, hobby rooms, basements and garages. The secure three-point mounting system and torsion-resistant material (Romylit SMC) make these sinks the reliable choice, even for the toughest demands.



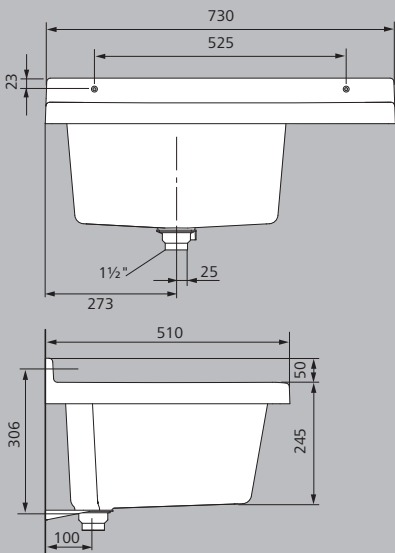
CLASSIC 73 COMBI WASHING TROUGH



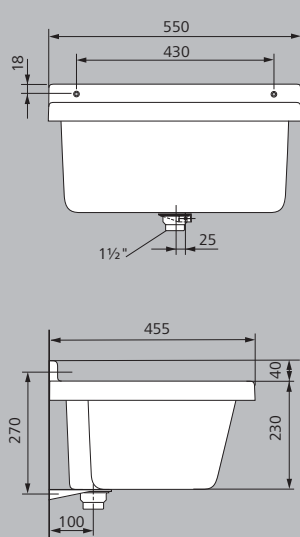
TREND 55 WASHING TROUGH

Dimensions in mm

CLASSIC 73
Volume 35 Litre



TREND 55
Volume 22 Litre



CLASSIC / TREND / MODERN ACCESSORIES



TOWEL HOLDER



SOAP DISPENSER



SUPPORT RACK, SMALL



SUPPORT RACK, LARGE

Keeping the place neat and tidy

A user-friendly sink with storage space underneath for all your cleaning products. The units are made from resin-coated chipboard and the rear panels from aluminium. The floorstanding base units are 850 mm high and fitted with adjustable feet for optimum alignment. The wall-mounted units are fitted above floor height at your chosen level for working, making them easy to clean. Suitable for use with the RoClassico 74 washing trough and Classic 73 combi washing trough.



Unit with doors, floorstanding
with RoClassico 74 washing trough



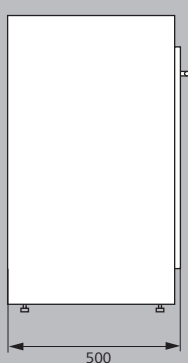
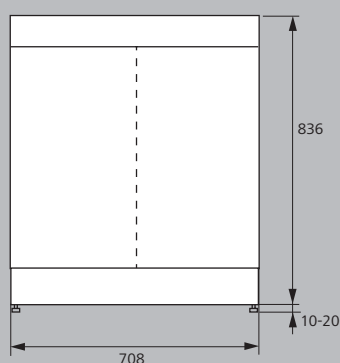
Unit with drawer, floorstanding
(also available as wall-mounted)
with RoClassico 74 washing trough



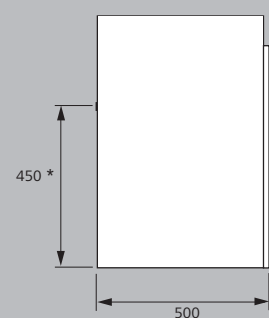
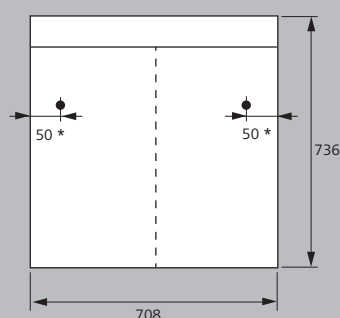
Unit with doors, wall-mounted
with Classic 73 combi washing trough

Dimensions in mm

FLOORSTANDING



WALL-MOUNTED



* Mass of mounting points

Small but perfectly formed

These sinks will fit anywhere. What makes the Classic general purpose sink so special is its great versatility. The optimally positioned wastes maximise the usable volume of the sink.



CLASSIC 50/40



CLASSIC 50/40 GENERAL PURPOSE SINK WITH SMALL SUPPORT RACK

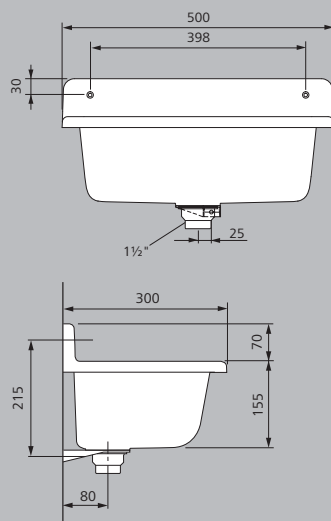
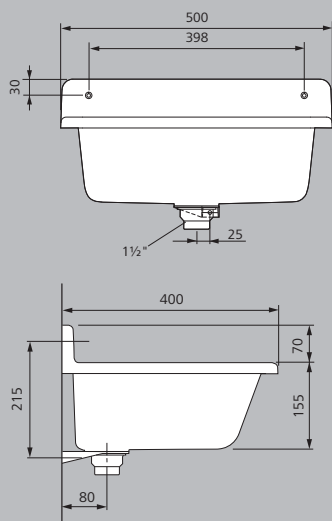


CLASSIC 50/30 GENERAL PURPOSE SINK

Dimensions in mm

CLASSIC 50/40
Volume 17 liter

CLASSIC 50/30
Volume 12 litre



Contemporary functionality

The Modern range of sinks have an attractive functional design and generous storage area. On the left there is space for a pillar tap or liquid soap dispenser and on the right is a drainer. A towel holder can be fitted to the Modern 70 sink.



MODERN 70



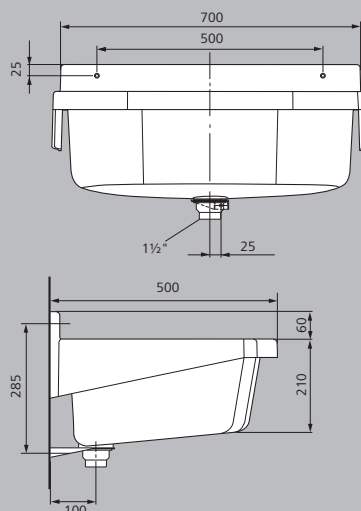
MODERN 70 MULTIPURPOSE SINK



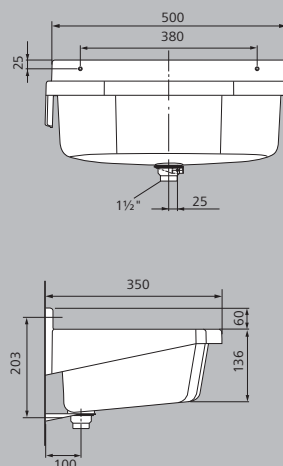
MODERN 50 GENERAL PURPOSE SINK

Dimensions in mm

MODERN 70
Volume 35 litre



MODERN 50
Volume 12 litre



Hose saddle

To keep sink areas tidy, there is the hose saddle (56 × 36 × 15.5 cm) in a modern contemporary design with storage compartment. Suitable for use with all ROMAY general purpose sinks.

Laundry room facilities



- **Multifunctional built-in sink**
- **Sinks in Romylit SMC and PX**
- **Modular construction**

Customisable – expandable modular design



With ROMAY's expandable laundry room concept, individual requirements can become reality. This modular concept is based on the Classic built-in sink. The generous worktop with prepared cut-out is mounted on the wall using brackets or installed on the appropriate base cabinets. The cabinets are available with shelves or with a large storage space, perfect for stowing away the movable laundry basket.



Generous and individually combinable



Classic built-in sink

Deep sink with an extremely low installation height. The Classic built-in sink can be installed in almost any type of work surface. Easy to clean thanks to its non-porous, limescale- and dirt-repellent surface. Available in LH and RH configurations. Generous draining board. Fitted with a 1½" waste and a standpipe in size 2.

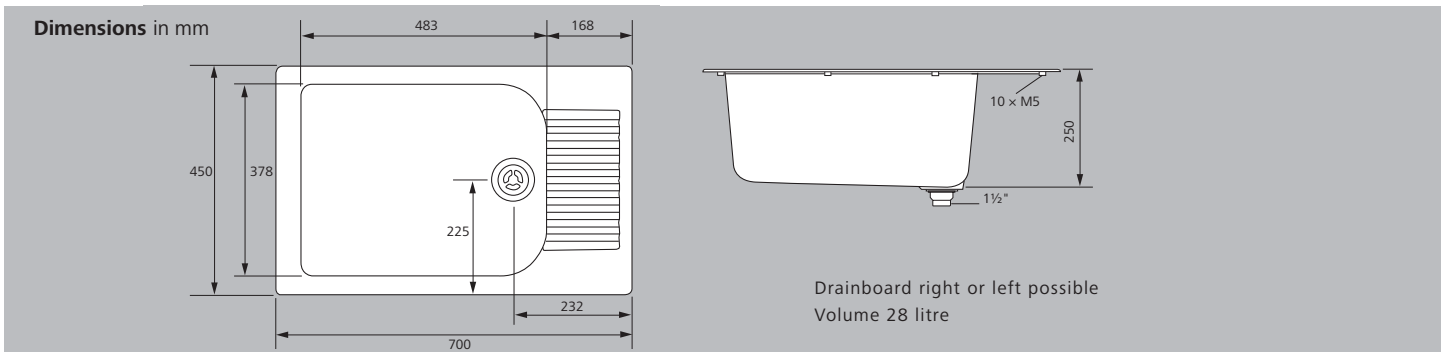
Colours: White marbled and Manhattan.



Classic PX built-in sink

For tougher demands, there is the Classic PX version of our built-in sink. Its high level of resistance to acids and alkalis also makes the sink ideal for use in the food and catering industries, laboratories, schools, commerce and other sensitive areas.

Colour: White



Worktop

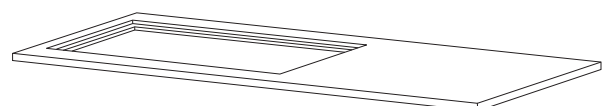
With a cut-out for the Classic and Classic PX built-in sink and a generous work surface, plus three brackets for wall mounting. Can also be installed on base cabinets.

Colour: Light grey (similar to RAL 7035)

Width: 1300 mm

Depth: 600 mm

Height: 22 mm



Worktop

LH and RH configurations available



Base cabinet, floorstanding, with shelves or space for laundry basket

With two doors, omnidirectional adjustable hinges and adjustable feet.

Can be used in combination with the worktop.

Colour: Light grey (similar to RAL 7035)

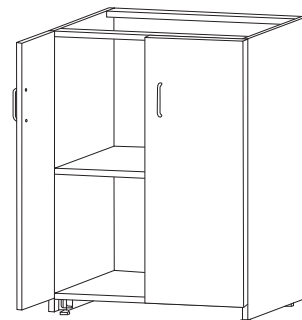
Finished height of worktop: approx. 910 mm.

Width: 650 mm

Depth: 600 mm

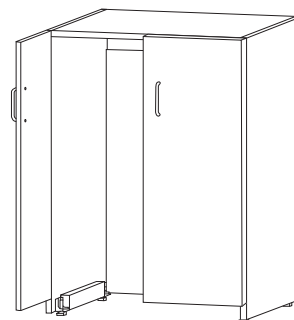
Base cabinet, floorstanding

Can be fitted under sink and worktop



Base cabinet for laundry basket

Can only be fitted under worktop



Base cabinet with movable laundry basket

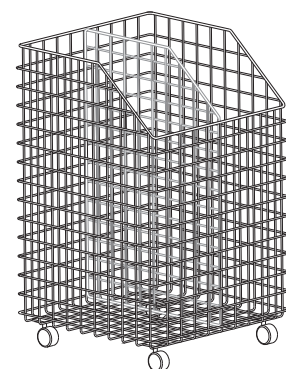
The wire laundry basket with four rotating castors is ideal for stowing away in the base cabinet. The edges slope down towards the lower front section, making it easy to put washing in or take it out. Partition for wire laundry basket for separating washing.

Colour: White (powder-coated)

Width: 500 mm

Depth: 500 mm

Height: 620/790 mm



Scolaro school wall-mounted basin



- *Scratch- and impact-resistant*
- *Good resistance to chemicals*
- *In elegant white*
- *High-quality surface (Romylit PX)*

The model for schools with variations

As scratch-resistant as ceramics and far more impact-resistant



SCOLARO 60



SCOLARO 90



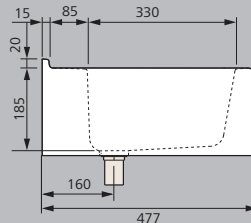
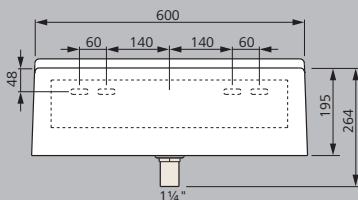
SCOLARO 60 WITH CABINET

Scolaro 60 und 90

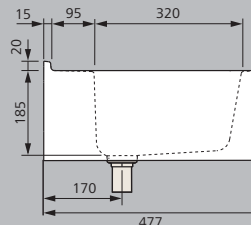
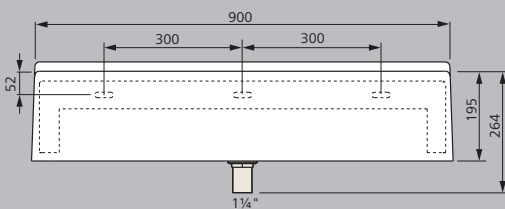
Scolaro 60 and 90 washbasins are made from extremely hard-wearing fibre-reinforced composite with an incredibly hard mineral-based surface (Romylit PX) which is comparable with ceramics in terms of its scratch resistance. They are ideal for long-term use in schools, in commerce and also in utility rooms. The basins are mounted on the wall using a heavy-duty steel bracket. The Scolaro 60 is also suitable for use with a base cabinet. The basins are available with a 5/4" flat perforated waste or a pop-up waste with overflow. Accessories include a sturdy rack, a soap dispenser, a siphon and one or two drill holes for pillar taps.

Dimensions in mm

WASHBASINS SCOLARO 60



WASHBASINS SCOLARO 90



Varello washbasins in a row



- *Seamless and dimensionally flexible*
- *Individual basin positioning*
- *Up to 6 basins*
- *4 basin designs*
- *Free choice of colours*
- *High-quality surface (Romylit TS)*

Amazing dimensions

Seamless washroom system



Clean and simple design

Our seamless washroom system offers the perfect combination of aesthetics and durability. Its robust design makes Varello the ideal choice for semi-public areas. The low installation height of the Varello Unda basin design automatically turns the multiple set-up into a barrier-free washing facility with up to 6 washbasins.



Colours and material in harmony

Trendsetting material (glass-reinforced plastic Romylit TS with laminate-embedded brackets) and exclusive designs guarantee quality and pure emotion. The free choice of colours means that Varello can be coordinated to match any scheme. The Varello Ronda with its rounded design is a washbasin with a difference, opening up new dimensions and holding great appeal for designers.



Flexibility means that we can cater for every need

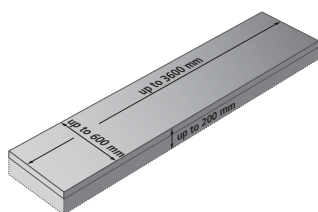
With Varello, the range of dimensions available is very impressive. The maximum possible length is 3600 mm. The tap ledge can be adapted for pillar and wall-mounted taps as required and the three-sided fascia panel is variable in height. The basins can be arranged individually. The Varello Cuba with its generous square design is the ideal choice if a sizeable basin is required for hand-washing or even for rinsing something out if necessary.



New basins with four lengths to choose from

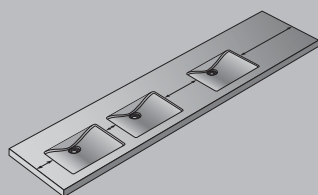
Our new range of washing troughs is called Varello Longa. The troughs are available in four different lengths – 800, 1000, 1200 and 1400 mm – and can be individually arranged in the countertop. The 200 mm high fascia panel ensures that the troughs are completely covered.

Extraordinary dimensional flexibility

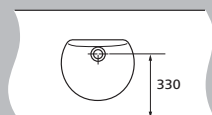


Range of dimensions:

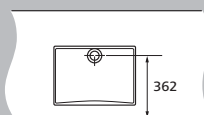
- Length: up to 3600 mm
- Depth of countertop: up to 600 mm
- Height of fascia panel: up to 200 mm



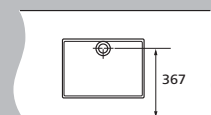
Dimension between axes and basin shape identify:



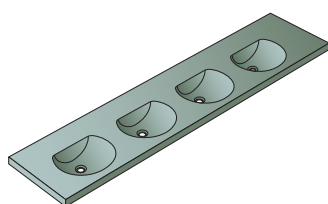
Ronda
423 × 346 × 160 mm



Unda
470 × 330 × 84 mm

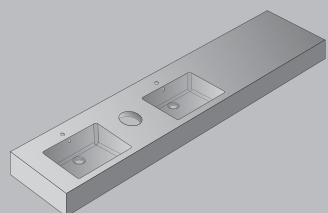


Cuba
466 × 376 × 153 mm



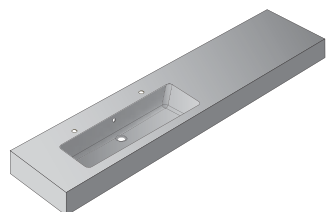
Range of colours for the washbasins in a row::

- Standard colour: White
 Colour range: Manhattan, Light grey marbled and Silver
 Special colour: From the RAL or NCS palette



Range of accessories:

- Hole for pillar tap
- Overflow (Ronda, Cuba and Longa)
- Drop hole
- Soap dispenser
- Siphon



Varello Longa

With basin lengths of 800 and 1000 mm, up to 3 troughs can be arranged individually in the countertop (max. 3600 mm) and with the lengths 1200 and 1400 mm, the maximum number of troughs is 2. The countertop depth with wall-mounted taps is 420 mm while with pillar taps, a size can be freely selected between 480 and 600 mm.

Possible design solutions



Waste and overflow, drill holes and soap dispensers

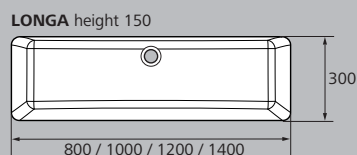
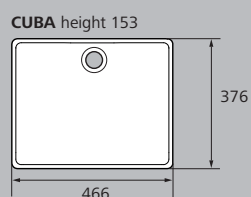
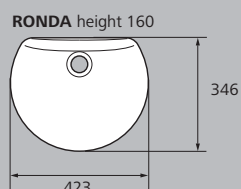
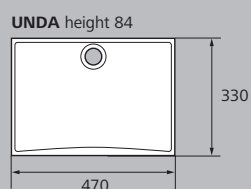
Fittings are flexible too. The basins are prepared for $\frac{5}{4}$ " wastes. The overflow with drill hole for each basin can be chosen to complement the Ronda, Cuba and Longa ranges. If you choose pillar taps, the depth (d) of the countertop will have to be dimensioned accordingly. A soap dispenser can be fitted almost anywhere in the countertop.



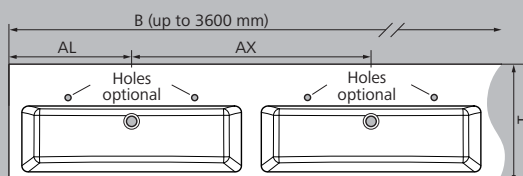
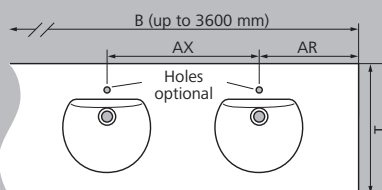
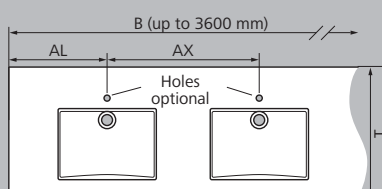
Seamlessly integrated drop hole

Curves, bevelled edges, notches or drop holes can be seamlessly created in the countertop using the same production technique used for the washbasins. The standard drop hole options are round with a diameter of 150 mm, square with dimensions of 150 × 150 mm or rectangular with dimensions of 126 × 180 mm. An insert with a receptacle in White marbled or Anthracite marbled is available as an optional extra.

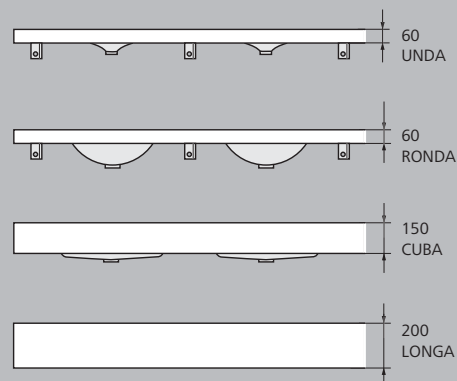
Basin shape in mm



Dimensions in mm



Standard-apron height in mm Special height till 200 mm possible



	Unda, Ronda	Cuba	Longa 80	Longa 100	Longa 120	Longa 140
Lenght (B) (depending on the basin)	600–3600	630–3600	1000–3600	1200–3600	1400–3600	1600–3600
Depth (T) with wall tap	450–600	470–600	420	420	420	420
Depth (T) with pillar tap	520–600	540–600	480–600	480–600	480–600	480–600
Countertop left (AL) free choosable	min. 300	min. 315	min. 500	min. 600	min. 700	min. 800
Countertop right (AR) free choosable	min. 300	min. 315	min. 500	min. 600	min. 700	min. 800
Dimension between axes (AX)	min. 500	min. 550	min. 900	min. 1100	min. 1300	min. 1500
Amount of possible basins	1 bis 6	1 bis 6	1 bis 3	1 bis 3	1 bis 2	1 bis 2

Marello washbasins in a row



- *Seamlessly integrated basins*
- *From 1 to 4 basins*
- *Countertop with variable length*
- *Free choice of colours*
- *High-quality surface (Romylit TS)*

Elegant in all lengths

Easy to clean and scratch-resistant



Washbasin unit with charisma

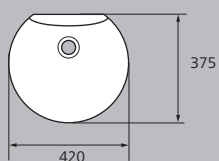
The curved front of the basin that projects outwards and the seamless design are what give the Marello range of washbasin units its flair. The units are available with one to four basins and the countertop surface to the side can be adapted to suit customer requirements. For major building projects, two washbasin units can be joined together. The free choice of colours also adds to the character of the range.



Accessories are flexible too

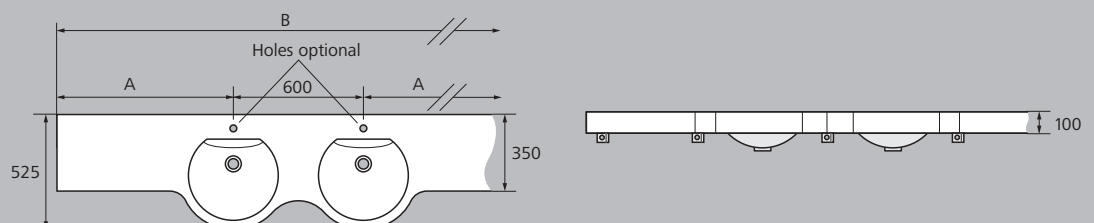
The basins are prepared for a $\frac{5}{4}$ " waste and can be provided with an optional overflow and a drill hole for each basin. An optional drill hole for a pillar tap can also be provided. Moulding technology enables us to create a drop hole or rear panels by moulding them directly with the basin. The moulding is seamless and the colours uniform. The drop hole options are round with a diameter of 150 mm, square with dimensions of 150 x 150 mm or rectangular with dimensions of 126 x 180 mm.

Basin shape in mm



MARELLO Height 160

Dimensions in mm



Modell	Variable dim. (A) of the side countertop	Width (B)
With 1 basin, Center basin to outside countertop	300 – 1000 mm	600 – 2000 mm
With 2 basins, Center of outer basin to outside countertop	300 – 950 mm	1200 – 2500 mm
With 3 basins, Center of outer basin to outside countertop	300 – 650 mm	1800 – 2500 mm
With 4 basins, Center of outer basin to outside countertop	300 – 650 mm	2400 – 3100 mm

RoCasca nursery trough



- *User-friendly design*
- *1600, 1400 and 1200 mm long troughs*
- *Mounting stability*
- *Three contemporary colours*
- *High-quality surface (Romylit TS)*

Child-friendly and appealing

Resistant, seamless, user-friendly



ROCASCA 160

The nursery trough that grows with the children

RoCasca nursery troughs are ROMAY's ideal solution for the child-friendly washroom, bringing fresh impetus to nurseries and schools. The elegant trough is seamless and captivating with its two different levels for users. The cascade-type arrangement makes child-friendly handwashing an experience for all ages.

A dash of colour for nurseries

Our troughs are available in elegant white or if a more colourful solution is required, we also offer a bright yellow or vibrant green.



ROCASCA 140



Hand washing on two levels



Child-friendly handwashing

The RoCasca nursery trough enables children to learn about using water and about hygiene. With the two levels, even the smallest children will be encouraged to play with water or wash their hands. The curved fascia panel at the front makes it easier to reach the pillar taps which can be optimally positioned on the moulded tap ledge.

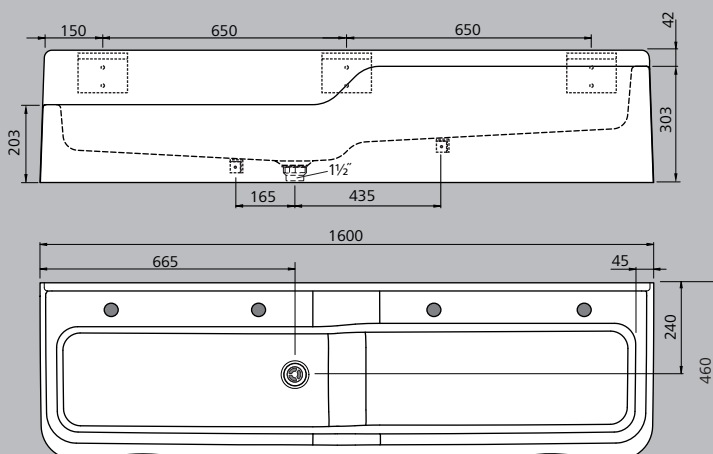


Benefits of Romylit TS

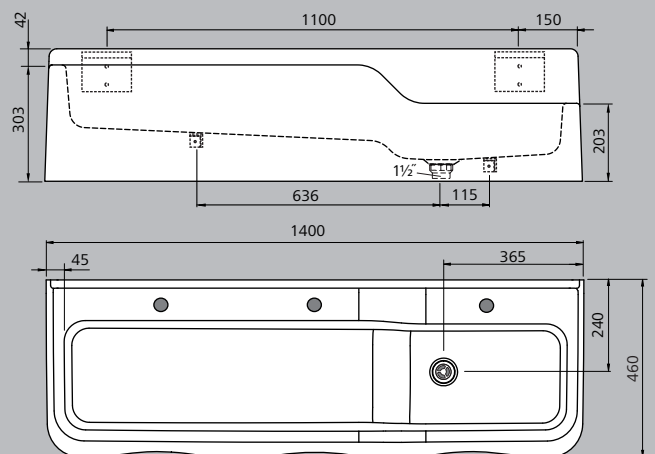
The RoCasca washing trough is made from our high-quality composite Romylit TS. The virtually non-porous hygienic surface guarantees a high level of scratch resistance, along with unrivalled impact resistance. Its high level of resistance to commercial cleaning products and solvents makes the trough durable and robust while the laminate-embedded steel brackets enable installation to be carried out quickly and easily.

Dimensions in mm

ROCASCA 160



ROCASCA 140



Optimum suitability



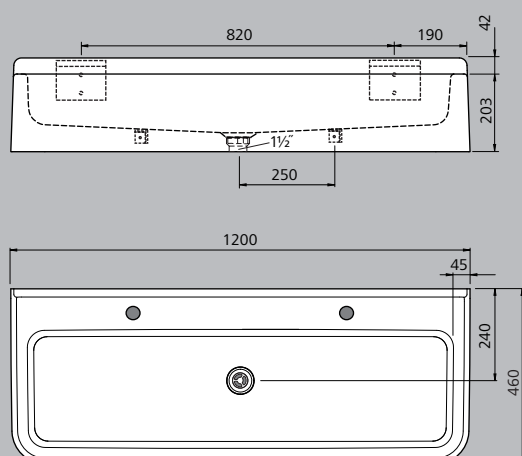
Ideal for any application

The RoCasca 120 is the ideal trough for any application. Pillar taps and soap dispensers can be arranged individually. However, taps can also be mounted on the wall, thus enabling the seamlessly moulded tap ledge to be used as a shelf. The fascia panel is the ideal height for hiding the siphon and pipes from sight.



Dimensions in mm

ROCASCA 120



An ideal combination

Original taps designed specially for children encourage use of the handwashing facility.

RoMex washing trough



- *Easy-clean design*
- *Troughs from 1000 to 2100 mm long*
- *Mounting stability*
- *Free choice of colours*
- *High-quality surface (Romylit TS)*

The optimum solution for any situation

Robust, resistant, easy to clean



ROMEX WASHING TROUGH WITH TAP LEDGE

Practical, functional and easy to clean

RoMex washing troughs with or without a tap ledge are easy to clean, impact and fracture-resistant and available in various lengths. They are based on the excellent characteristics of the fibre-reinforced composite Romylit TS. Easy maintenance and problem-free cleaning thanks to the seamless internal surface with rounded radii. Our washing troughs are ideal for a wide range of applications such as in schools, commerce and industry.

The range also includes add-on extras such as a towel rail, shelf and rack.

Make it individual and special

You can choose whatever colour you want. Colours and granite surfaces can give a trough individuality so that it fits in perfectly with your scheme or really makes a statement.



ROMEX WASHING TROUGH WITHOUT TAP LEDGE



RoMex washing trough with tap ledge



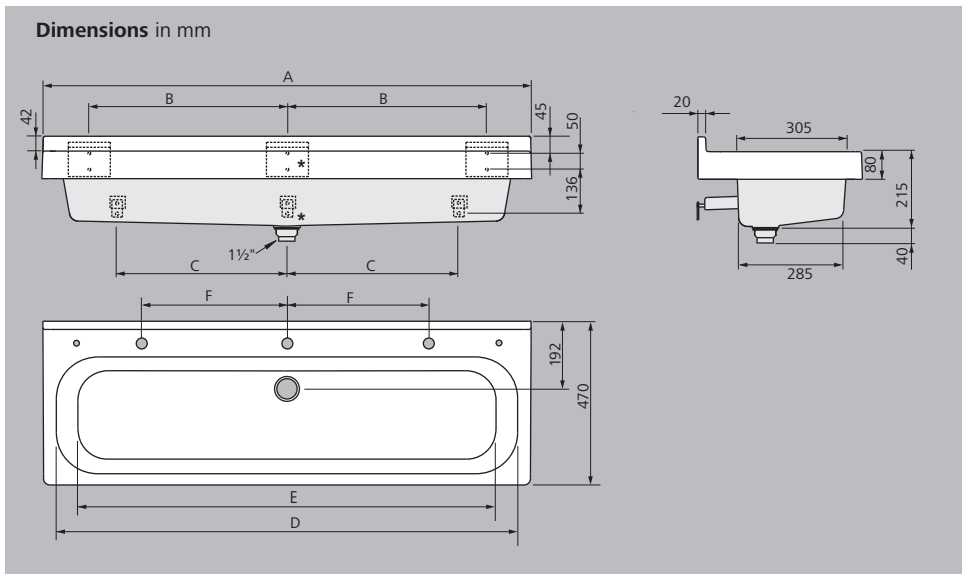
Tap ledge with practical shelf

The tap ledge can be used to mount both the taps and a soap dispenser on and can also serve as a handy shelf. Accessories include a sturdy rack that can be used for rinsing things or standing things on. The optional rail provides a convenient place to hang your towel.



Easy to install and sound-damping

Fixing is carried out using concealed mounting plates and underneath there are adjustable brackets to compensate for any unevenness in the surface of the wall. Drill holes for pillar taps and soap dispensers can be drilled almost anywhere, either by us or by you. The trough has good acoustic damping properties so there is no echoing.



Dimension A	Dimension B	Dimension C	Dimension D	Dimension E
1000	360	290	895	836
1200	460	390	1095	1036
1400	560	490	1295	1236
1800	760	690	1695	1636

Distance of holes (F) to customer's specifications
 * 1800 mm with 3 consoles

RoMex washing trough without tap ledge



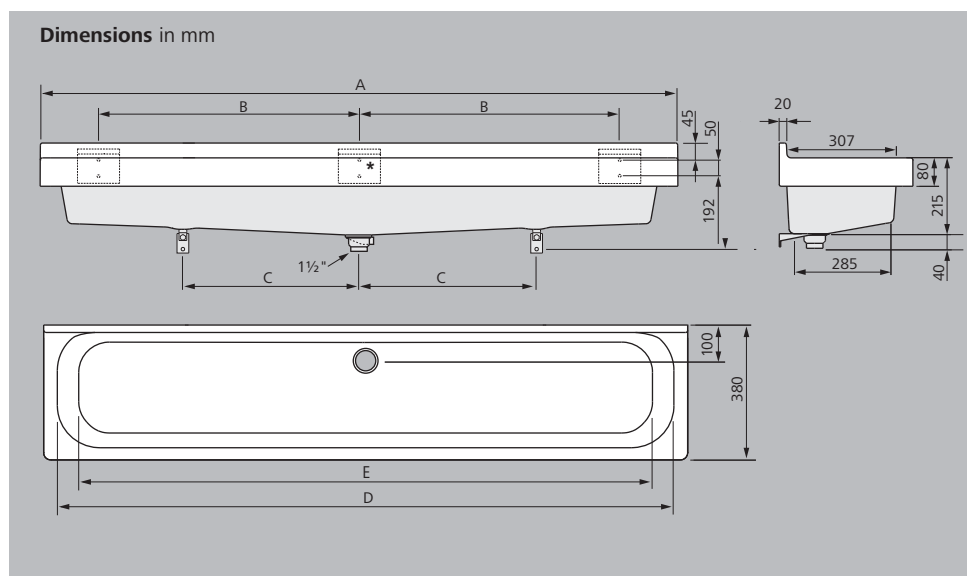
Practical and generous

Does anyone like having to get right into crevices and corners when cleaning? We deliberately made our design easy to clean so that you wouldn't have to do that. There are practical add-ons to complement the whole range such as the integrated towel rail and rack shown here.



Durability guaranteed thanks to fibre-reinforced composite Romylit TS

Great assets: robustness and resistance. The RoMex washing trough and its superior quality: impact-, fracture- and light-resistant as well as resistant to staining by all household and commercial cleaning products and solvents.



Dimension A	Dimension B	Dimension C	Dimension D	Dimension E
1000	360	300	895	836
1200	460	350	1095	1036
1400	560	400	1295	1236
1800	760	500	1695	1636
2100	910	600	1995	1936

* from 1800 mm with 3 consoles

Washing trough with splashback



- *Completely seamless*
- *Optimum splash protection*
- *Factory-installed pipes*
- *Assembled ready for mounting*
- *High-quality surface (Romylit TS)*

Problem-free long-term use

Can be adapted for the use of various taps



Long-term durability and extreme versatility

Our washing troughs with splashback are available in a range of sizes and designs to suit any washroom requirements. Combinability guarantees functional and creative freedom. The fact that they are easy to clean and offer a high level of scratch resistance are further reasons why our washing troughs are so popular. The generous depths and widths of the troughs make them perfect for taking care of personal hygiene as well as for cleaning objects. The seamlessly moulded splashback provides optimum splash protection. Our washing troughs can be found in a wide range of places including workrooms, industry and commerce, schools, sports facilities, campsites, holiday homes and military facilities. For use in particularly sensitive areas such as hospitals and the catering industry, for example, the washing troughs can be fitted with taps that meet the highest requirements for convenience and hygiene.



Long-term durability and extreme versatility



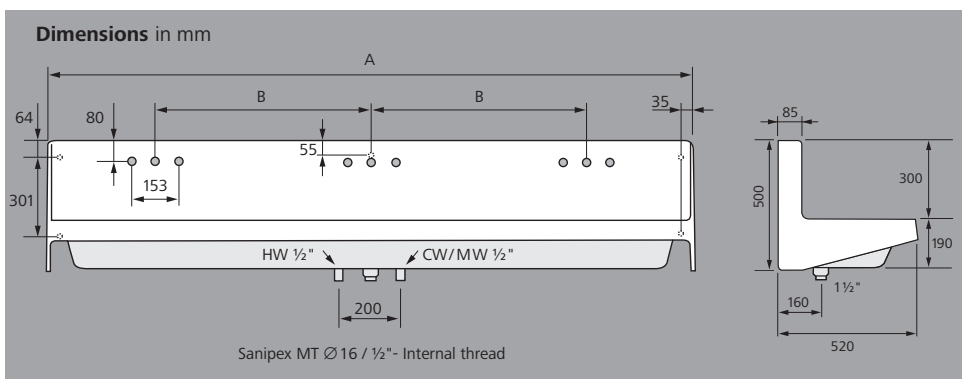
With or without pipes

Laminate-embedded galvanised wall brackets are used with our wall-mounted washing troughs. All the pipes which can either be installed in the factory or by the customer can be hidden behind the splashback. This means that there are no complex concealed pipes leading to the individual taps and the whole distribution system can be connected to a central point.

Our washing troughs are available in the standard colour White or you can also choose from Manhattan, Light grey marbled or Silver. If you have special requirements, you can also choose an individual colour from the RAL or NCS palette.

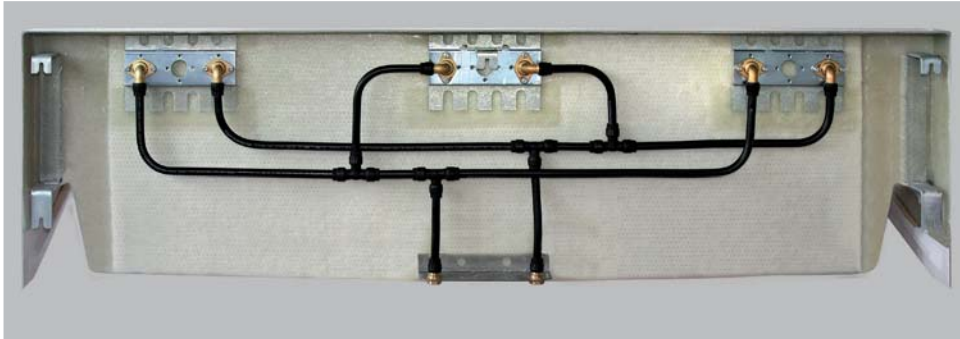
Stand bracket

The perfectly designed stand brackets in electropolished stainless steel enable our washing troughs with splashback to stand on the floor while being supported, regardless of the condition of the wall behind.



Dimension A	Dimension B	Point of use
700		1
1200	600	2
1400	700	2
1800	600	3
2100	700	3
2400	600	4

Time-saving pre-installation



Time-saving pre-installation

The pipework pre-installed in the factory consists of Sanipex MT composite pipes for individual outlet valves or mixer taps. The pipes are 16 mm in diameter and the connections have a ½" internal thread. Thanks to the laminate-embedded fixing

plates, the connections are firmly prevented from rotating. Taps can be screwed directly into the splashback and are held in place extremely securely.



Connection from the front

If water pipes are routed downwards from the ceiling, we can position the water connection at the front and to the side.



Splashback without drill holes and fixing plates so that pipework can be installed by the customer.



Pipework with ½" connection for fitting screw connections to mixer taps for cold or mixed water. OD 153 mm



Pipework with ½" connection for fitting outlet valves for cold or mixed water.



Washing trough with touch-free technology. Prepared for connection to cold or mixed water. Controls are centrally connected to the 230 V power supply.



Towel rail

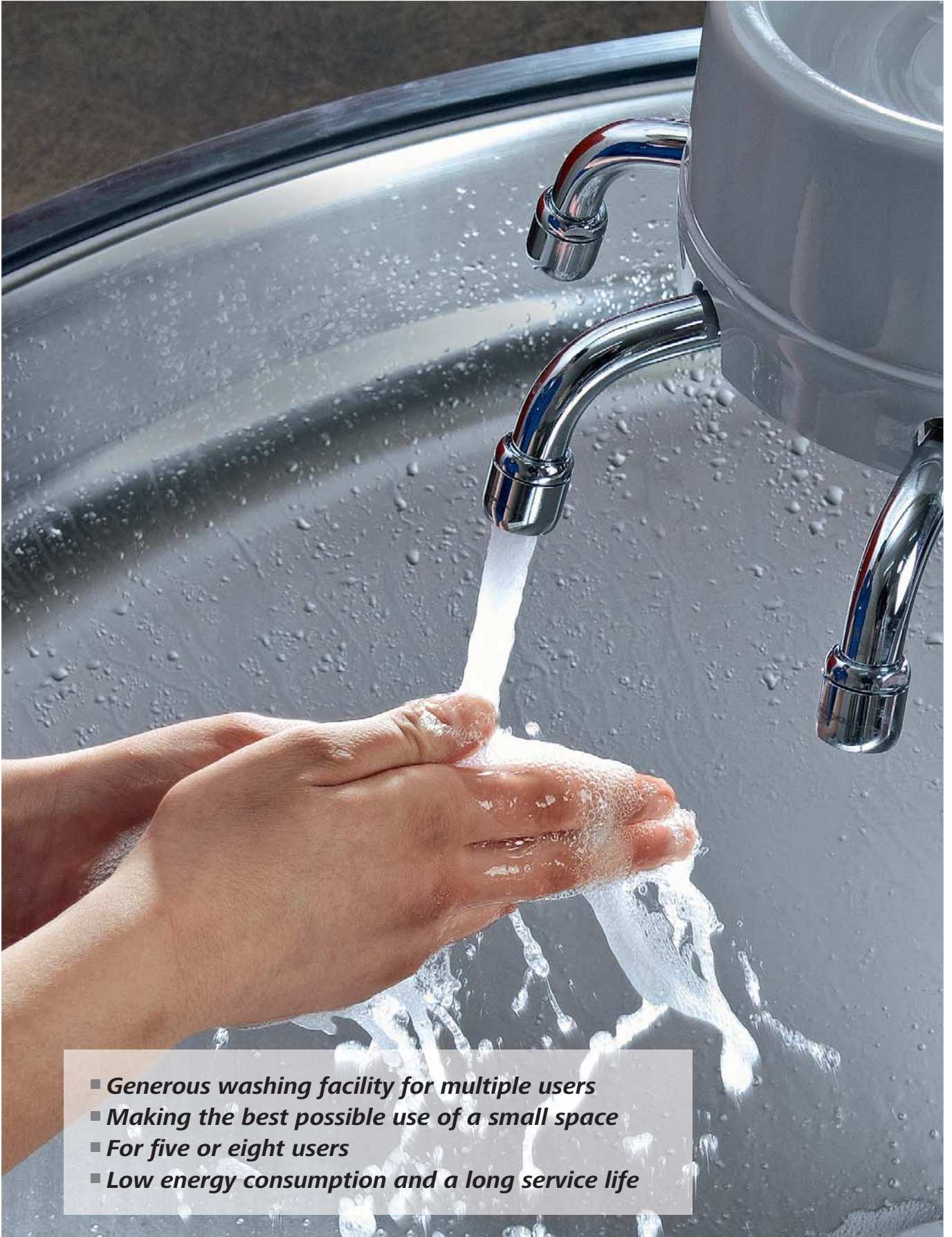
Our washing troughs can be fitted with a towel rail to make optimum use of space and provide easy access to the towel.



Double washing trough

Freestanding and customer-specific solutions are available on request

RoMysana washing fountain



- *Generous washing facility for multiple users*
- *Making the best possible use of a small space*
- *For five or eight users*
- *Low energy consumption and a long service life*

Washing facilities for multiple users with a difference

The clever communal solution



Its circular design makes the RoMysana washing fountain particularly inviting. It symbolises togetherness in companies, nurseries, schools and workshops – in fact wherever this outstanding functional facility is used. You can be sure of finding the right solution for any situation with this generous washing facility for multiple users.

What do our customers value about the RoMysana washing fountain? They value the generous yet space-saving washing facility for five or eight users and its positioning in the middle of the room, leaving the walls free to be used for another purpose. Then there are the outstanding characteristics of the material, the practically unlimited service life and ease of installation. In addition, you can choose between outlet, self-closing or pneumatic valves and practical accessories such as the soap dispenser holder and cold water from the standpipe.





Optimum positioning of users

Washing fountain with basin and base in the fibre-reinforced composite Romylit TS, available in White and Manhattan. Our washing fountains are fitted with a practical storage dish on top as standard.

High-quality material

The versions with a stainless steel basin (with plastic edge protection) and a base made from Romylit TS meet the very highest user requirements.

The nursery version

91 cm dia. washing fountain with stainless steel base. The reduced height basin (600 mm) with five outlet or self-closing valves is striking and user-oriented.



RoMysana washing fountains

Our washing fountains can be connected to cold or mixed water. There is sufficient space in the base to install a mixer valve.

Valve head options

Our washing fountain can be fitted with outlet valves, self-closing valves or pneumatic outlets. The 91 cm dia. basin has 5 washing stations while the 137 cm dia. basin has 8.



Cold water from the standpipe

An additional outlet valve can be fitted to the central column of our washing fountains for supplying cold water. The outlet valve is connected separately in the base.



Water connection from the ceiling

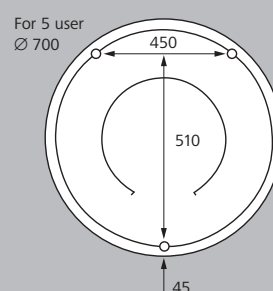
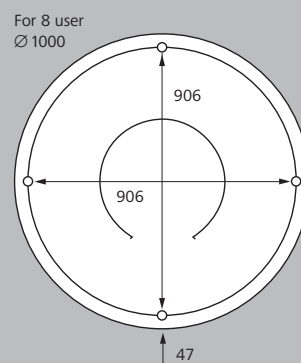
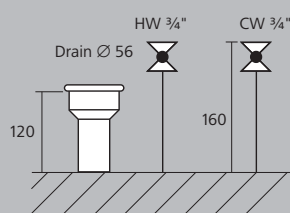
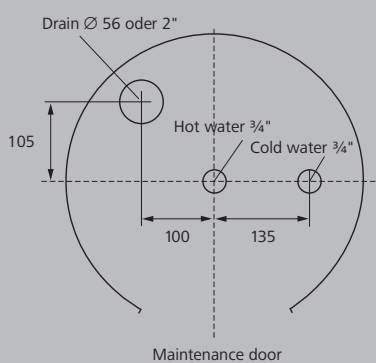
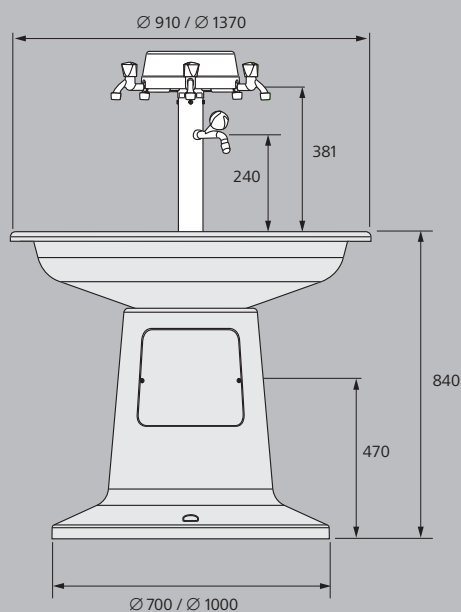
If water pipes are routed downwards from the ceiling, our washing fountain can be connected at the top. To enable use with mixed water, a mixer valve must be installed beforehand. It is not possible to have the equipment version with cold water from the standpipe and the soap dispenser holder with this connection option.



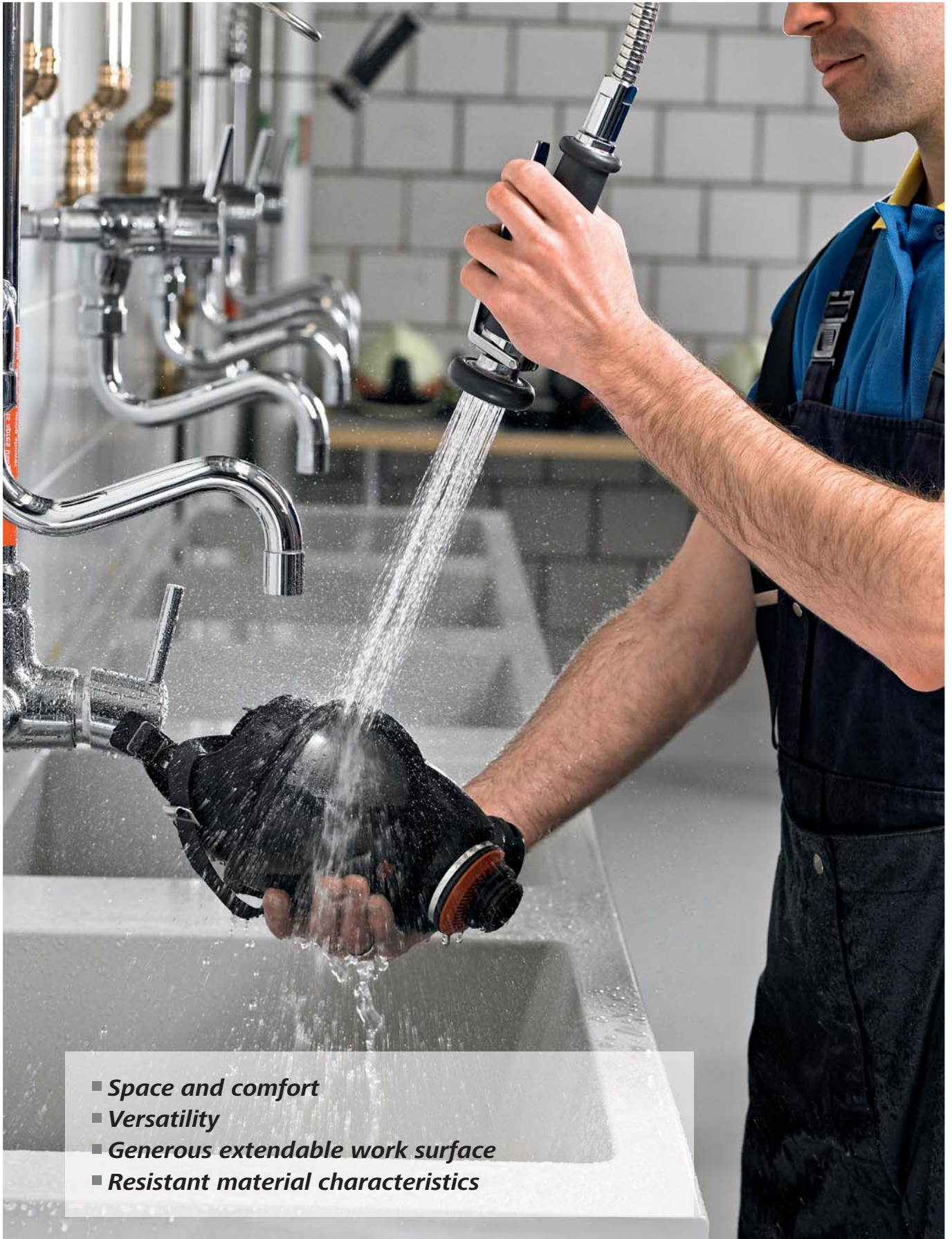
Soap dispenser holder

The optional two- or three-arm soap dispenser holder can be screwed to the soap dish. The soap dispenser holder is designed for 0.5 and 1.0 kg CWS soap dispensers. Other soap dispensers can be mounted on the fixing plate individually.

Dimensions in mm



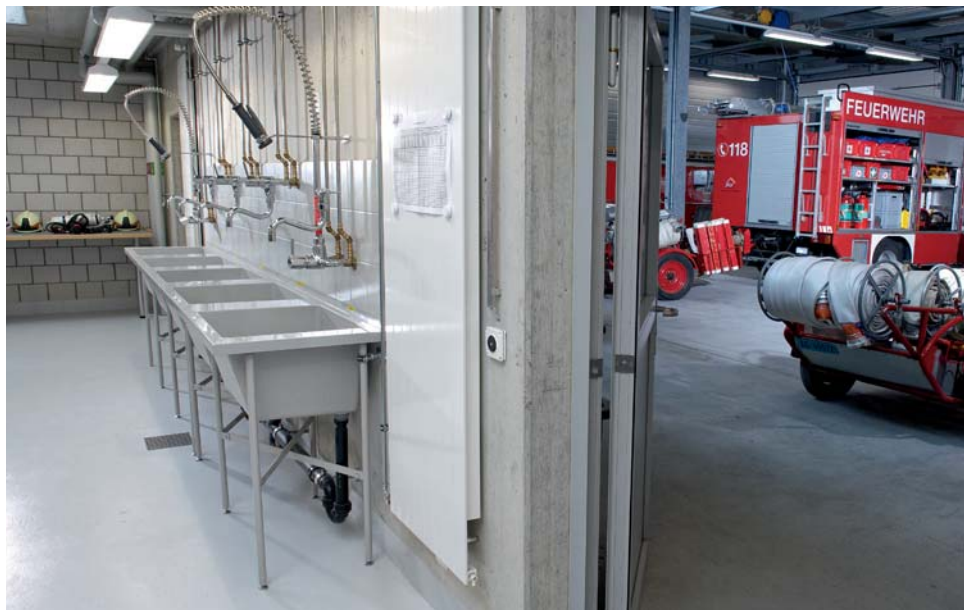
Washing trough system



- *Space and comfort*
- *Versatility*
- *Generous extendable work surface*
- *Resistant material characteristics*

Washing systems for large objects

Seamless and robust



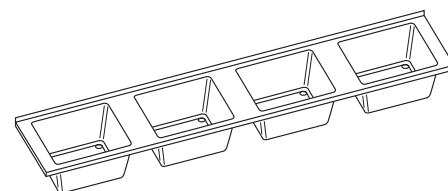
Washing trough system with extra-large sink volume

Can be used for a wide range of applications by the fire service, industry and workshops. Our washing trough systems with 1 to 4 sinks are made from the fibre-reinforced composite Romylit TS. The length of the LH or RH work surface can be extended to a maximum of 1200 mm. Sink volume 95 litres. Also available with base frame for mounting on the floor

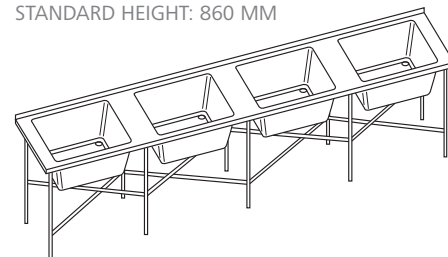
WASHING TROUGH SYSTEM WITH COUNTERTOP



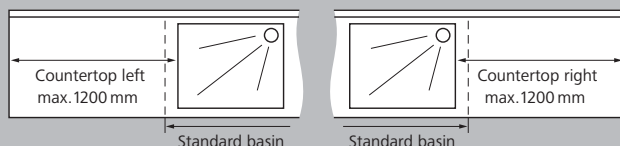
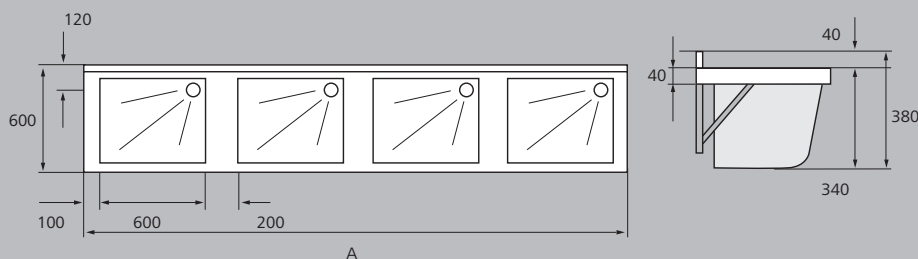
WASHING TROUGH SYSTEM WALL MOUNT



WASHING TROUGH SYSTEM FREE-STANDING
STANDARD HEIGHT: 860 MM



Dimensions in mm



Washing trough system with LH or RH countertop

Number of basin	Length A
1	800
2	1600
3	2400
4	3200

RoVaro shower tray



- *Flush-floor entry*
- *Concealed waste*
- *Easy-clean waste channel*
- *Incredible dimensional flexibility*
- *High-quality surface (Romylit TS)*

Emotion and feeling space and atmosphere



Slope with channel

The seamlessly moulded waste channel directs the water straight to the siphon. The innovative construction makes the trough extremely easy to clean. Thanks to the cover plate installed, the water run-off is hidden from view and does not spoil the aesthetics of the shower.



Colours

Besides the standard White, the range also includes other colours such as Manhattan, Light grey marbled and Silver. It is even possible to order the shower in an individual colour from the RAL or NCS palette.



Customisable length

Choosing RoVaro PLUS means being able to specify the exact length that you need (from the standard size plus max. 600 mm). RoVaro PLUS can be seamlessly extended as a level non-sloping surface. There is nothing to stop you making the most of the longitudinal space available – the shower can be extended to a maximum length of 2000 mm



RoTerra shower tray



Modern design

Versatile shower tray



Against the wall

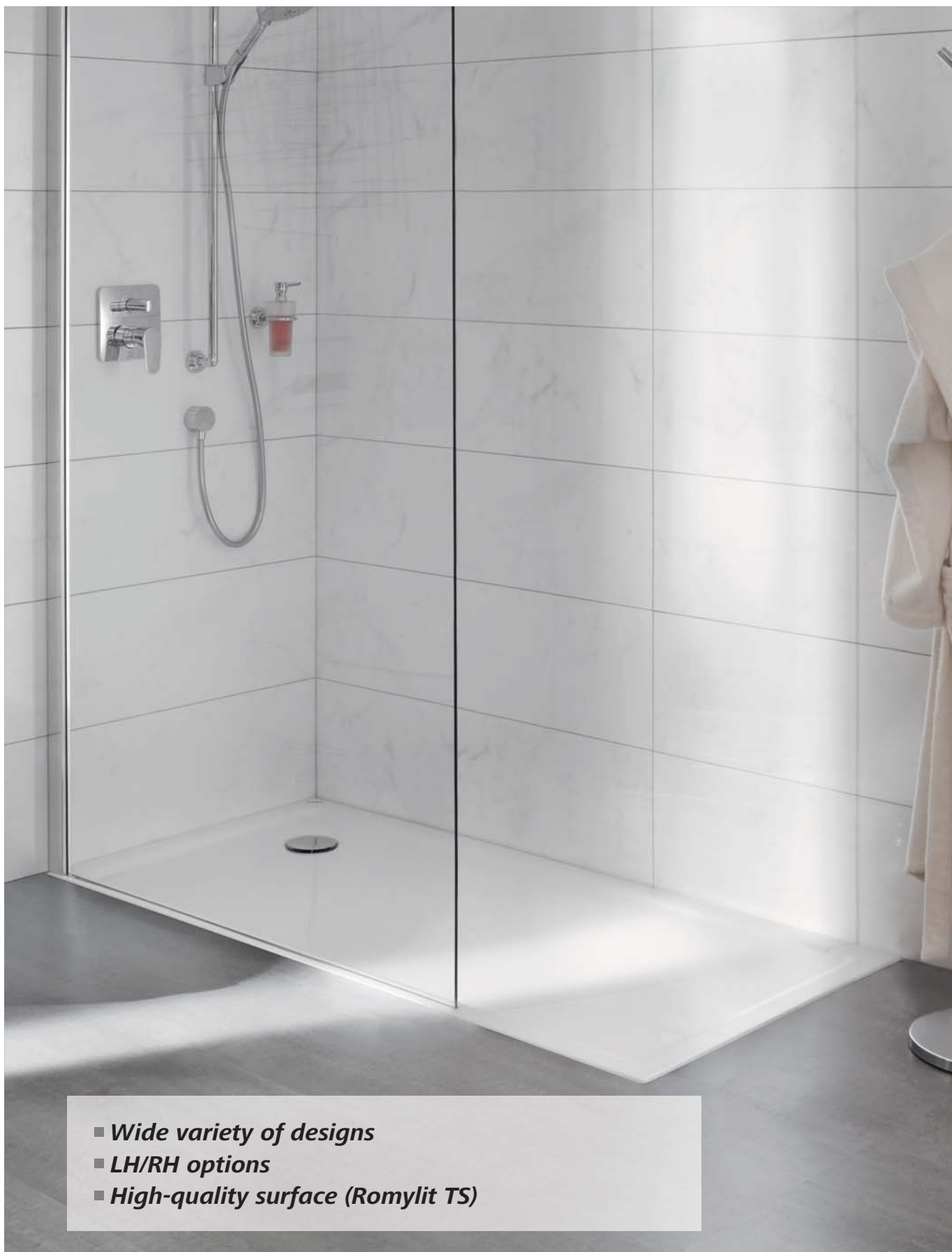
The concealed waste has been cleverly integrated in the surface and serves as a visual design element against the sloping wall. The rounded corners around the edge direct the water to the waste.

RoTerra Rectangular, Square or Quadrant shower trays

Extra-flat shower tray with concealed waste positioned along the longitudinal side in the centre or in the corner. The shower tray can be laid flush with the floor or flat on the tiles. In fibre-reinforced composite (Romylit TS), prepared for 90 mm siphon. Extremely easy to clean.



Jubilar shower tray



- *Wide variety of designs*
- *LH/RH options*
- *High-quality surface (Romylit TS)*

Barrier-free showering and feel-good Can be fitted anywhere



That's what makes the Jubilar shower tray so special

You have a superb range of designs to choose from and a wide choice of special sizes to meet your preferences and requirements. Not only is the Jubilar shower tray extra-flat and extra-stable but it also comes in a wide variety of dimensions.

No-hassle cleaning

The high-quality, non-porous, dirt- and limescale-repellent surface and the high level of impact and scratch resistance have been confirmed in a number of tests carried out by accredited institutes.

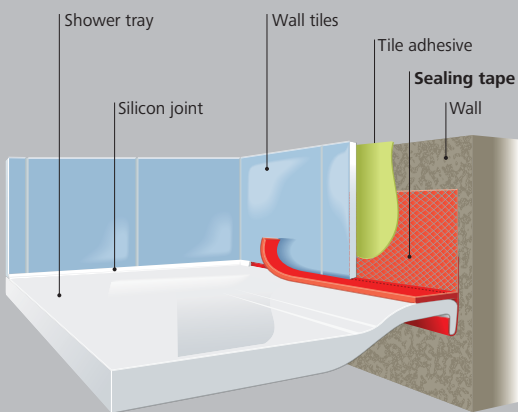


Numerous shared benefits

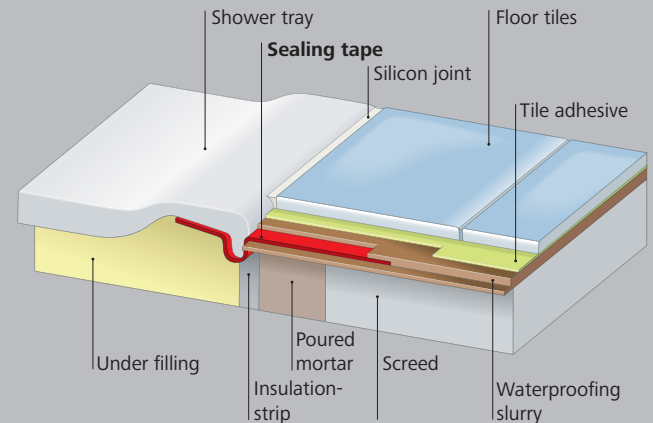
Types and options		RoVaro	RoVaro BASE	RoVaro ISOBAD	RoTerra	Jubilar	Jubilar BASE	Jubilar ISOBAD
Concealed drain		✓	✓	✓	✓			
Length on measure		✓	✓	✓				
Individual colours of RAL*		✓ PLUS	✓ PLUS	✓ PLUS				
Non-slip surface*		✓	✓	✓	✓	✓	✓	✓
For barrier-free installation		✓	✓	✓	✓	✓	✓	✓
With soundshield-board Satisfy the soundshield SIA standard 181				✓				✓

* Options available at extra charge

In addition to the silicone joint, the permanent secondary sealing is recommended with an upstand band, which also serves as a sound decoupling between the edge of the tub and the wall. Situation-specific pre-assembly are possible.

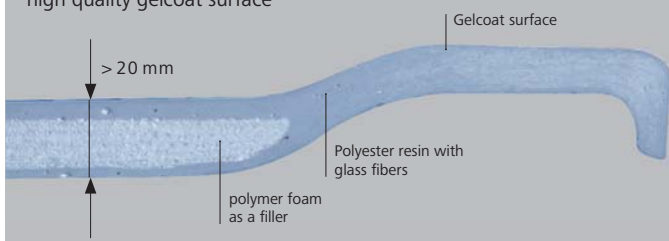


For barrier-free installation. More security against moisture entering. Situation-specific pre-assembly of the sealing is possible.



Romylit TS

Glass fiber reinforced plastic with a high quality gelcoat surface

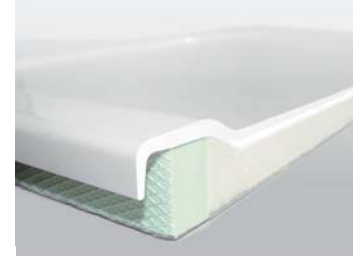


Feet with noise protection*
adjustable or cuttable



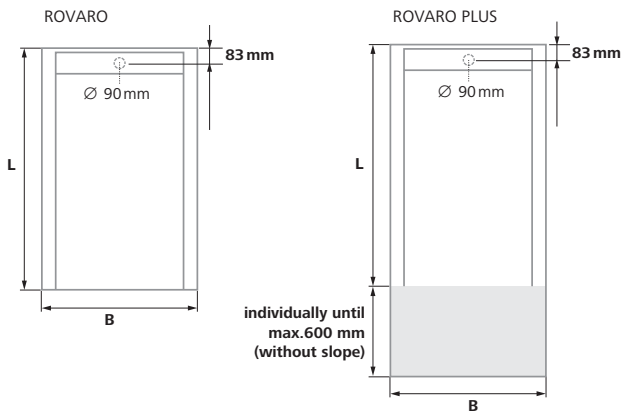
Support super flat BASE

For a flat support on the ground

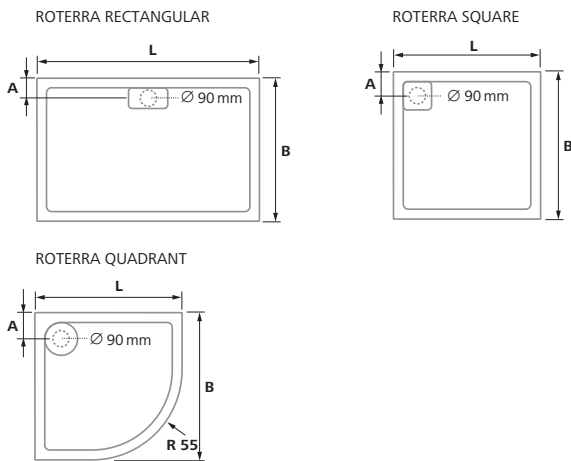


*extra costs

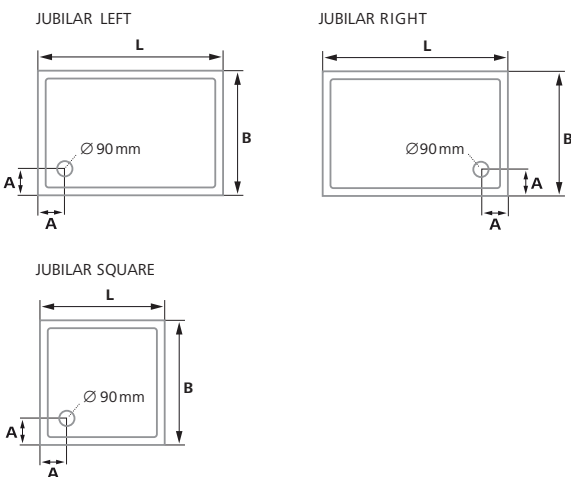
Showersolutions with ROMAY



RoVaro Dimensions B x L (mm)	RoVaro PLUS Dimensions B x L (mm)	Height in mm
750 x 900	750 x 900 PLUS max. 600	44
750 x 1200	750 x 1200 PLUS max. 600	48
800 x 1000	800 x 1000 PLUS max. 600	46
800 x 1200	800 x 1200 PLUS max. 600	48
800 x 1400	800 x 1400 PLUS max. 600	51
900 x 900	900 x 900 PLUS max. 600	44
900 x 1000	900 x 1000 PLUS max. 600	46
900 x 1200	900 x 1200 PLUS max. 600	48
900 x 1400	900 x 1400 PLUS max. 600	51
1000 x 900	1000 x 900 PLUS max. 600	44
1000 x 1200	1000 x 1200 PLUS max. 600	48



RoTerra		
Dimensions L x B (mm)	Height in mm	A (mm)
Rectangle		
1000 x 800	40	126
1200 x 800	40	126
1200 x 900	40	126
1400 x 800	40	126
1400 x 900	40	126
1600 x 900	40	126
Square		
800 x 800	40	146
900 x 900	40	146
1000 x 1000	40	146
Quadrant		
900 x 900	40	160



Jubilar		
Dimensions L x B (mm)	Height in mm	A (mm)
Left or right		
900 x 750	48	170
1000 x 700	49	170
1000 x 750	50	170
1000 x 800	50	170
1000 x 900	50	175
1200 x 800	56	170
1200 x 900	56	175
1200 x 1000	56	175
1400 x 800	48	185
1400 x 900	60	175
1600 x 800	52	185
1600 x 900	53	185
1700 x 800	52	185
1700 x 900	54	185
Square		
800 x 800	49	170
900 x 790	50	175
1000 x 1000	50	175
1200 x 1200	39	175
1500 x 1500	52	175

Shower cubicle



- *Easy to install without silicon*
- *Self-centring elements*
- *Stable, lightweight and easy to transport*

Quadrant and corner entry

Optimum flexibility



Level-entry design

Tray with entry height of 70 mm, can be laid directly on the floor. A recess will need to be provided for the siphon.



High-entry design (incl. apron)

The tray can be levelled using the adjustable feet. The siphon can be fitted underneath the tray without the need for a recess. The apron can be removed again at any time.

With our clever system, your room doesn't need to be turned into a building site

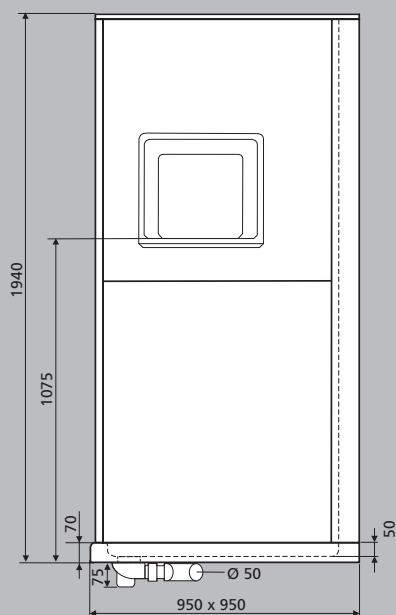
For bathrooms that need updating, to replace existing shower cubicles, for loft conversions, basements, commercial premises or when upgrading hotels and guest houses to rooms with a shower. Our built-in shower is more than just a shower cubicle. It is a cost-effective, quick and ideal high-quality solution for a wide range of requirements.

Back wall system

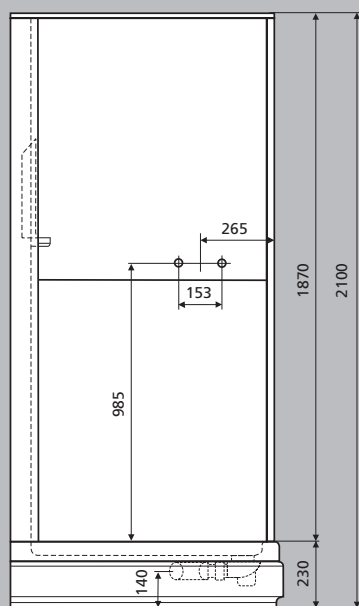
The back walls of the shower cubicle are made from high-quality polyurethane foam. Not only do they have a high level of stability but they are also extremely durable. Attachments like the sliding bar, for example, can be mounted directly on the back wall.

Dimensions in mm

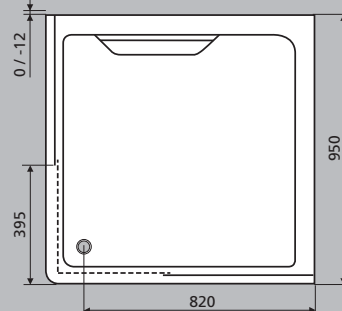
SIDE VIEW WITHOUT APRON
SOAP DISH LEFT



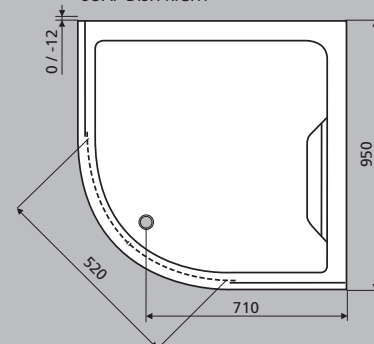
SIDE VIEW WITH APRON
WALL TAP RIGHT



SQUARE
SOAP DISH LEFT



QUADRANT
SOAP DISH RIGHT



RoMylux shower cubicle



- *Easy to install without silicon*
- *Self-centring elements*
- *Stable, lightweight and easy to transport*

Full range

to suit all your requirements



Convenient solutions to suit every need

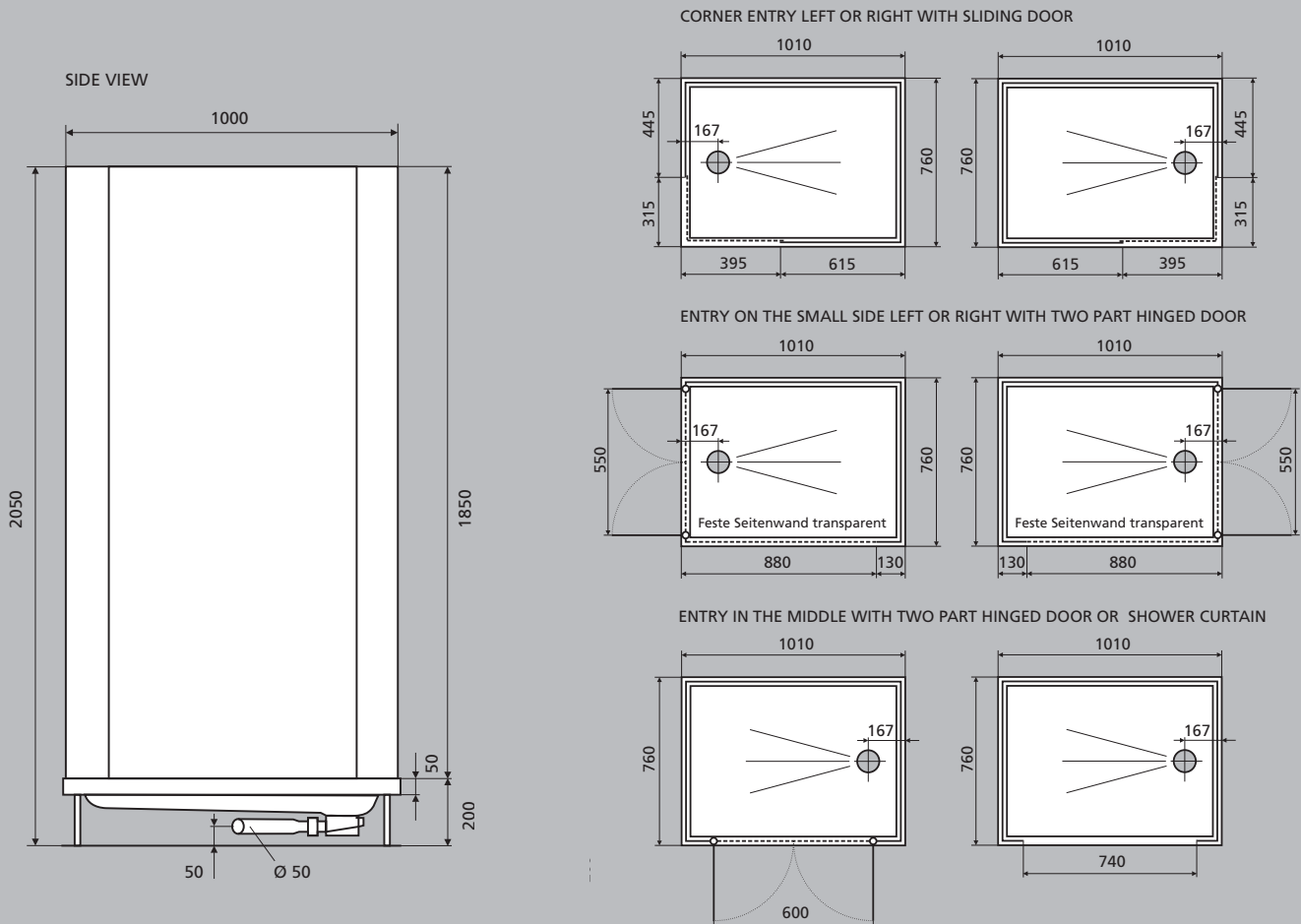
Our shower cubicles are constructed using lightweight, manageable components that can be transported anywhere in the house without any problems. Installation is made extremely easy by the tongue-and-groove system used. The shower cubicle versions offer a wide variety of solutions, even for architecturally and structurally challenging conditions. Options include

corner entries with sliding doors and narrow-side entry with swing doors. The design with centrally positioned entry is available with both swing doors and a curtain.

Back wall system

The back walls of the RoMylux shower cubicle are made from high-quality polyurethane foam. Not only do they have a high level of stability but they are also extremely durable. Attachments like the sliding bar, for example, can be mounted directly on the back wall. Connections for fittings can be drilled individually in the side or back wall.

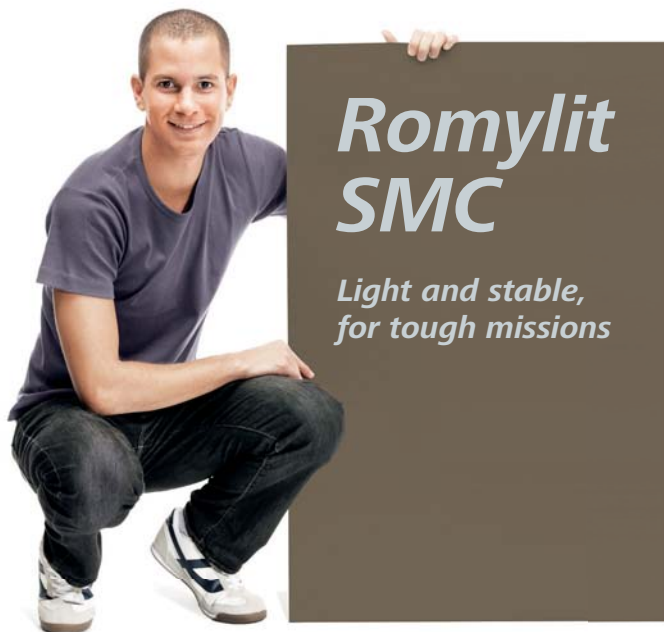
Dimensions in mm



Materials



Material characteristics



- Seamless and hygienic
- Can withstand mechanical loads
- Easy to install
- Acid- and alkali-resistant (details on request)
- Weather-resistant

Standard colours



WHITE MARBLED

MANHATTAN

GRAY MARBLED

Specifications

Impact resistance	Superior proven impact resistance compared to other materials
Light resistance	Visible changes in colour after 1000 hours of exposure to UV radiation (equivalent to 2000 days of sunshine). Evaluation in accordance with ISO 105A-02 and DIN EN 20105-A02 respectively.
Heat resistance	Up to 120°C no cracks, blistering or discolouration
Resistance to burning cigarettes	Minimal nicotine staining which can be removed using acetone and fine polishing paste. (DIN EN 438-2).
Repairs	Minor surface damage can be polished out and stains can be removed using acetone. Chemicals applied

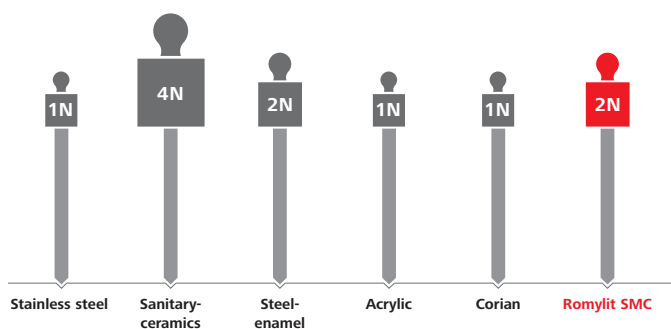
Characteristics Resistance to chemicals

Chemicals applied (concentration)	Resistance Romylit SMC
Acetic acid 20 %	A
Sulphuric acid 20 %	B1
Hydrochloric acid 10 %	A
Phosphoric acid 10 %	A
Citric acid 10 %	A
Ammonia 5 %	C
Iodine solutions 1 %	B3
Javelwater	A
Acetone for cleaning purposes	A
red shoe cream	B1

A = resistant; B = conditional resistant; C = not resistant ; 1-3 = low to strong spotting

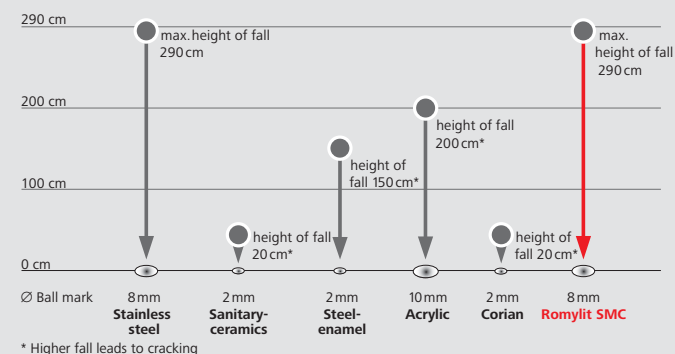
Scratch resistance

Physical resistance test 1 (EN 438-2)



Impact resistance

Physical resistance test 2 (EN 438-2)





Material characteristics

- Seamless and hygienic
- Pleasantly warm material
- Creative freedom due to free choice of colours
- Acid- and alkali-resistant (details on request)
- Can withstand mechanical loads
- Positive-fit integrated fastenings
- Lightweight so easy to install
- Dimensional flexibility and millimetre precision

Specifications

Impact resistance	Up to approx. 120 kJ/m ² extremely impact-resistant (DIN 53453).
Impact resistance	Minimal changes in colour after 1000 hours of exposure to UV radiation (equivalent to 2000 days of sunshine). Evaluation in accordance with ISO 105A-02 and DIN EN 20105-A02 respectively.
Heat resistance	Short-term up to 110°C, long-term up to 70°C (ISO R 75 A).
Resistance to burning cigarettes	Cigarettes can leave visible marks but these can be removed easily (DIN EN 438-2). Repair instructions available from ROMAY.
Repairs	Minor surface damage can be polished out and damage that goes deeper can be repaired using original material (ROMAY repair kit with repair instructions).

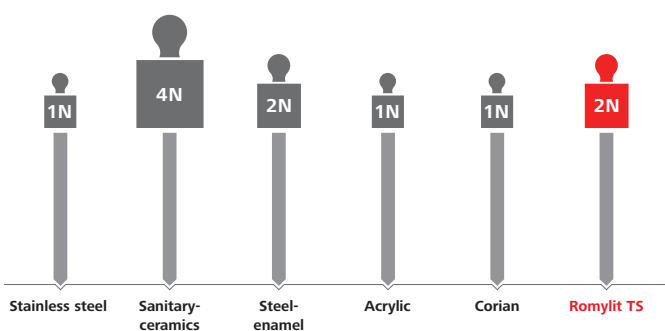
Characteristics Resistance to chemicals

Chemicals applied (concentration)	Resistance Romylit TS
Acetic acid 20 %	A
Sulphuric acid 20 %	A
Hydrochloric acid 10 %	A
Phosphoric acid 10 %	A
Citric acid 10 %	A
Ammonia 5 %	A
Iodine solutions 1 %	B2
Javelwater	B1
Acetone for cleaning purposes	A (matte)
red shoe cream	A

A = resistant; B = conditional resistant; C = not resistant ; 1–3 = low to strong spotting

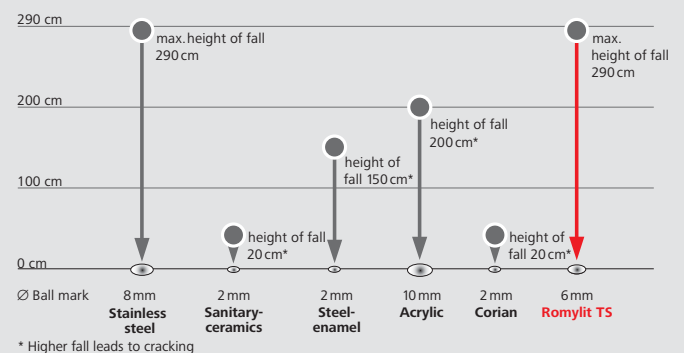
Scratch resistance

Physical resistance test 1 (EN 438-2)



Impact resistance

Physical resistance test 2 (EN 438-2)



Romylit TS colour range

Standard colour



WHITE

Colour range



MANHATTAN



LIGHT GREY MARBLED



SILVER

Individual colours from the RAL or NCS palette

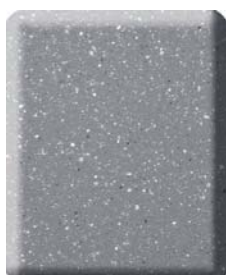
Products made from Romylit TS can be produced in the colour of your choice from the RAL or NCS palette.



Romylit TS granite effects



BLACK



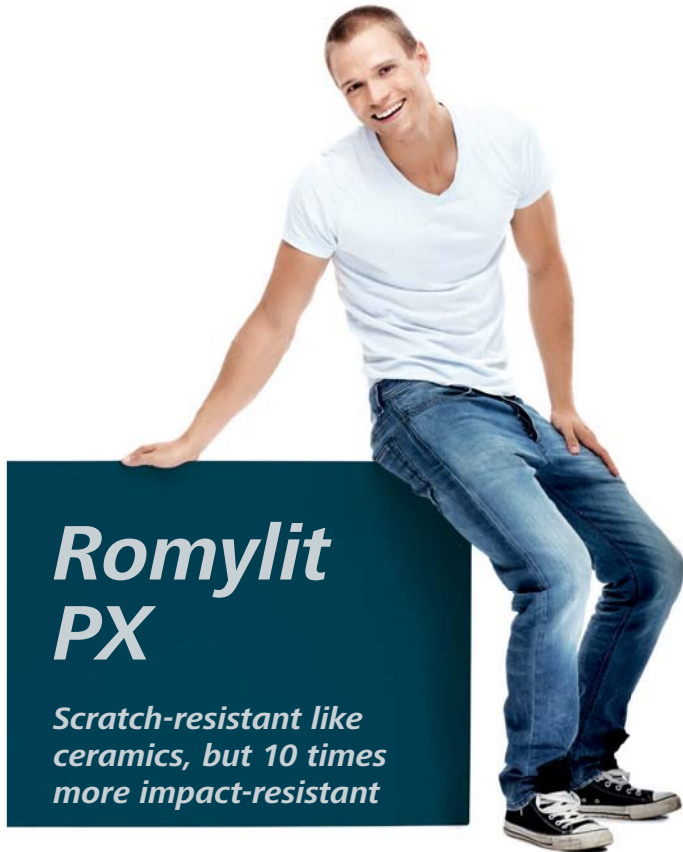
GREY



BLUE

Creative possibilities

Make more of your rooms. Use the special surfaces to meet your aesthetic requirements and create a colourful space. Each granite effect can be combined with the desired basic colour. After ordering, you will be sent a sample panel for approval



Material characteristics

- Seamless and hygienic
- Maximum resistance to chemicals
- Can withstand mechanical loads
- As scratch-resistant as ceramics
- Intelligent and extremely secure mounting systems for heavy loads
- Easy to install

Standard colour



WHITE

Specifications

Impact resistance	Up to approx. 120 kJ/m ² extremely impact-resistant (DIN 53453).
Impact resistance	Minor changes in level of gloss after 1000 hours of exposure to UV radiation (equivalent to 2000 days of sunshine). Evaluation in accordance with ISO 105A-02 and DIN EN 20105-A02 respectively.
Heat resistance	Short-term up to 190°C, long-term up to 100°C (ISO R 75 A).
Resistance to burning cigarettes	No surface damage but minor nicotine stains which can be removed using acetone and fine polishing paste. (DIN EN 438-2).
Repairs	Minor surface damage can be polished out and stains can be removed using acetone.

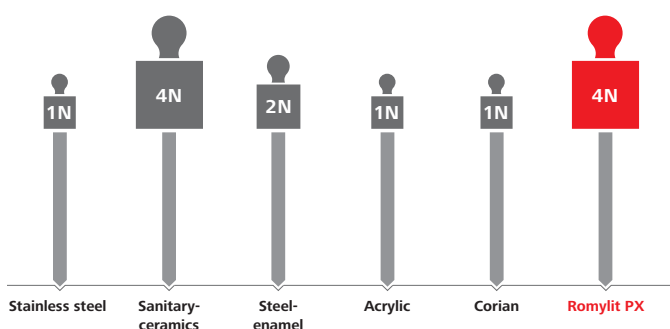
Characteristics Resistance to chemicals

Chemicals applied (concentration)	Resistance Romylit PX
Acetic acid 20 %	A
Sulphuric acid 20 %	A
Hydrochloric acid 10 %	A
Phosphoric acid 10 %	A
Citric acid 10 %	A
Ammonia 5 %	A
Iodine solutions 1 %	A
Javelwater	A
Acetone for cleaning purposes	A
red shoe cream	A

A = resistant; B = conditional resistant; C = not resistant ; 1–3 = low to strong spotting

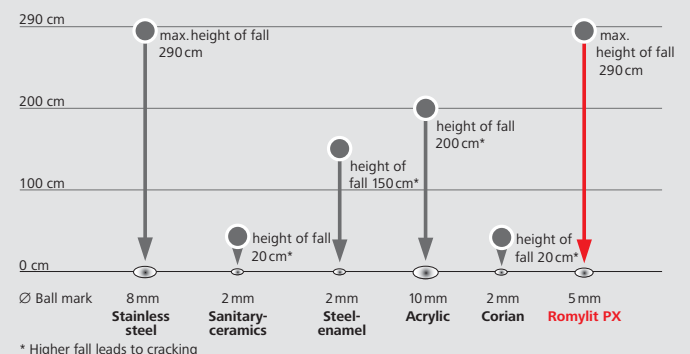
Scratch resistance

Physical resistance test 1 (EN 438-2)



Impact resistance

Physical resistance test 2 (EN 438-2)



Cleaning instructions for Romylit

Cleaning

- The Romylit surface can be cleaned using commercial soft cleaning products or microfibre cloths.
Do not use abrasive powder cleaning products or sponges.
- Limescale can be removed using household descaling agents.
- Marks can be wiped off using acetone, isopropyl alcohol, petroleum ether or ethanol.
- Stains can be removed using liquid polish or paste.
- Rinsing with clean water is always recommended.

Repairs

Minor surface damage can be polished out using liquid polish or paste.

Damage to plain coloured surfaces in Romylit TS that goes deeper can be repaired using a repair kit.

Shower trays with anti-slip surface coating

To keep the surface looking its best, it should only be cleaned using a high-quality liquid basic cleaner. Do not use abrasive powder cleaning products, diluting agents or undiluted acids or alkalis.

Cleaning recommendations

We recommend that you use microfibre products in conjunction with lemon balsam.

We have tested this application and it is one that we use in-house.

**SMC****PX****TS****TS**

Overview of ranges



WASHBASINS

Functionality and robustness



WASHBASIN UNITS

Quality and elegance in an accessible design



WASHBASINS IN A ROW

Cool design and harmonious flexibility



WASHING TROUGH SYSTEMS

Individual hygiene and functional chic



SHOWER TRAYS

Flexibility and harmony



SHOWER CUBICLES

Clean designs and high-quality materials

ROMAY®

ROMAY AG

Sanitär
Gontenschwilerstrasse 5
CH-5727 Oberkulm
Tel. +41 (0)62 768 22 55
Fax +41 (0)62 776 25 67
sanitaer@romay.ch
www.romay.ch